




DLL5510-M

Hand-Held Laser Scanner

Features

- ENHANCED MULTISTANDARD ARCHITECTURE
- *PUZZLE SOLVER*™ technology
- Data editing and formatting
- Field update
- Reading aggressiveness
- Gun shape
- Ergonomy for great user comfort
- Hands free stand
- OLE for POS compliance 

Applications

- Data Collection in Retail and Office Automation environments
 - EPOS (Electronic Point of Sale)
 - Libraries
 - Banks
 - Insurance Companies
- Data Collection in Light Industrial environments
 - Work in Progress
 - Production control

General Description

Design, ergonomics and ease of use, together with outstanding decoding performance and state-of-the-art software configuration capability, make the **DLL5510-M Skylight**™ a cost-effective solution for any application.

The wide semi-transparent insert in the cover introduces an innovative concept in the design of the gun. The traditional laser-on and good read LED has been replaced with a complete lit cover easily visible from any angle and in all operative conditions. The **DLL5510-M** is based on a new enhanced architecture and takes advantage of Datalogic's success and experience in multistandard interfacing, combining in the same reader RS232, Wedge and Wand emulation interfaces.

The new powerful architecture of the **DLL5510-M** allows implementation of the most advanced features in terms of decoding, thanks to *PUZZLE SOLVER*™ Technology allowing partial scans to be put together to form a complete bar code image, and in terms of Data Editing, Data Formatting and Data Concatenation, where all the needs of collected data manipulation are satisfied before it is delivered to the host system. Some useful new options have also been added for Wedge interfacing, such as the keyboard set-up. Furthermore, the **DLL5510-M** is equipped with a complete set of bar code symbologies, including CODABLOCK and CODE 16K stacked codes, as well as Telepen, Plessey and all the other most popular linear bar codes.

'Field update' capability provided by the **DLL5510-M Skylight**™ saves your investment: the laser gun firmware can be updated in a few seconds maintaining an always "up-to-date" device.

A dedicated model is also available, the **DLL5510-I**, which directly targets the IBM4683/84 - IBM4693/94 POS world. This model sits alongside the other Datalogic readers for IBM POS, sharing the same standard architecture and software features.

Models and Accessories

PRODUCT	DESCRIPTION	ORDER NO.	
DLL5510-M	Laser gun with enhanced multistandard decoder	902351000	
DLL5510-I	Laser gun with dual interface for RS232 and IBM46xx POS	902351010	
ACCESSORIES			
	COILED CABLE	STRAIGHT CABLE	
CAB362	RS232 cable, 9-pin female connector (DCE config.)	●	90A051330
CAB363*	RS232 cable, 25-pin female connector (DCE config.)	●	90A051340
CAB364*	RS232 cable, 25-pin male connector (DTE config.)	●	90A051350
CAB365	IBM PS/2 wedge cable, minidin connector	●	90A051360
CAB366	IBM AT/XT wedge cable, din connector	●	90A051370
CAB348	Pen emulation cable, 9-pin male connector	●	90A051210
CAB350*	RS232 cable, 9-pin female connector (DCE config.)	●	90A051230
CAB327	RS232 cable, 9-pin female connector (DCE config.)	●	90G001070
CAB328*	RS232 cable, 25-pin female connector (DCE config.)	●	90G001080
CAB320*	RS232 cable, 25-pin male connector (DTE config.)	●	90G001000
CAB321**	IBM PS/2 wedge cable, minidin connector	●	90G001010
CAB322	IBM AT/XT wedge cable, din connector	●	90G001020
CAB324	IBM vdt. 31xx, 32xx, 37xx wedge cable, din 240° connector	●	90G001040
CAB325	IBM vdt. 3151, 34xx wedge cable, 8-pin telephone connector	●	90G001050
CAB326	IBM vdt. 3153 wedge cable, 6-pin telephone connector	●	90G001060
CAB323	Pen emulation cable, 9-pin male connector	●	90G001030
CAB369	IBM 468x and 469x cable, 8-pin connector on 5B port	●	90A051410
CAB370	IBM 468x and 469x cable, 4-pin connector on 9B port	●	90A051420
CAB373	WYSE VDT 60/120/160/185/370 wedge cable, 4-pin telephone connector	●	90A051470
CAB374	APPLE VDT (ADB-BUS) wedge cable, minidin connector	●	90A051480
CAB375	DEC VDT VT200/220/240/300/320/340/420 wedge cable, 4-pin telephone connector	●	90A051490
ADP-102	5P din T-pass adapter		90ACC1030
ADP-103	6P minidin T-pass adapter		90ACC1040
Operator's Manual	Software manual for Hand-Held Devices		90ACC1710
SPC5510-P	Portable desktop holder		90ACC1640
SPC5510-F	Fixed mount desk/wall holder		90ACC1580
KIT5510	Holder upgrade for retail stand		90ACC1600
STD5510	Hands-free retail stand		90ACC1590
PG5 (110 Vac)	Power supply unit		89751038
PG5 (220 Vac)	Power supply unit		89751037

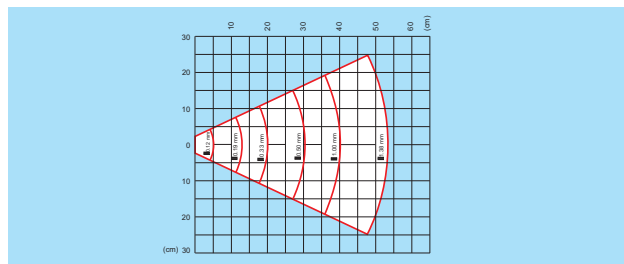
*Power supply available on pin 9 or 25 of the converter.

**CAB321 SH1738 (cod. 90A051140) also available for Notebook and IBM SureOne, minidin connector

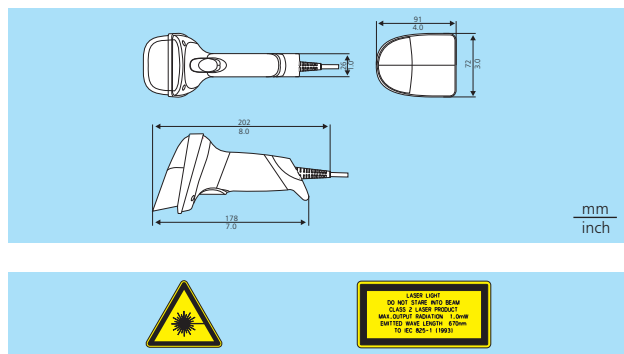
Specifications

POWER SUPPLY	5 VDC ±5%
CONSUMPTION	120 mA typical, 200 mA max.
LIGHT SOURCE	Laser diode at 670 nm
MAX. RESOLUTION	0.12 mm (5 mils)
SCAN RATE	36 (±3) scans/sec.
MIN. PRINT CONTRAST RATIO	PCS = 15%
READING FIELD	See diagram
READING ANGLE	Skew: ±60°, Pitch: 5 to 55°, -5 to -55°, Tilt ±20°
READING INDICATORS	Laser on and Good Read light, adjustable tone "beeper"
READABLE BAR CODES	2/5 family, Code 39 (plus Code 32, Cip 39), EAN/UPC, EAN 128, Code 128, Code 93, CODABAR, TELEPEN, PLESSEY, Code 49, Code MSI, Code Delta IBM, Code 11, CODABLOCK, and Code 16K
DLL5510-M only	
PROGRAMMING METHOD	Reading special bar codes
Manual	S/W commands through the serial port
Automatic (with RS232)	
INTERFACES	
DLL5510-M	RS232, pen emulation, Wedge (PC IBM AT/PS2, IBM SureOne, Notebook, IBM terminals: 31xx, 32xx, 34xx, 37xx, 3153, WYSE VDT 60/120/160/185/370, DEC VDT VT200/220/240/300/320/340/420, APPLE VDT ADB BUS) ALT mode Wedge option for PC/AT and Notebook, keyboard set-up RS232, IBM 468x and 469x
DLL5510-I	
ENHANCED FEATURES	
DLL5510-M only	Puzzle Solver™, data editing and data concatenation
WEIGHT (approx.)	200 g
CASE MATERIAL	ABS and Polycarbonate
CABLE LENGTH	2 m (6.1 ft.) linear or coiled
LASER CLASSIFICATION	Class 2 (IEC 825-1 and CDRH)
AMBIENT LIGHT CONDITIONS	Immune to light exposure in offices and facilities, and direct exposure to sunlight
OPERATING TEMPERATURE	0 to 40 °C
STORAGE TEMPERATURE	-20 to 60 °C
HUMIDITY	90% non condensing
DROP RESISTANCE	IEC 68-2-32 Test ED; withstands repeated drops from 1.5 m onto a concrete surface
ENVIRONMENTAL PROTECTION	IP30

Reading Diagram



Dimensions



Product and company names and logos referenced may be either trademarks or registered trademarks of their respective companies.

DATA LOGIC DL
Bar Code & More



We reserve the right to make modifications and improvements

Distributeur :


TRACEHABIL
Z.I. des Malines – 22 bis rue des Malines
C E 2716 Lisses – 91027 EVRY CEDEX
www.tracehabil.com - mail@tracehabil.com

